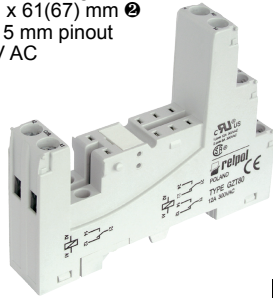


Plug-in sockets and accessories

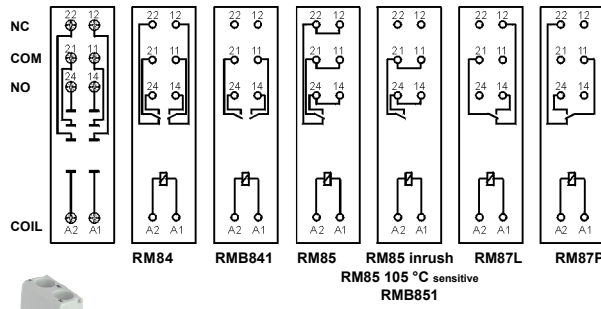
GZT80

For RM84, RM85, RM85 inrush, RM85 105 °C sensitive, RMB841, RMB851, RM87L, RM87L sensitive, RM87P, RM87P sensitive

Screw terminals
Max. tightening moment for the terminal: 0,7 Nm
35 mm rail mount
acc. to PN-EN 60715
or on panel mounting
75,3 x 15,5 x 61(67) mm
Two poles, 5 mm pinout
12 A, 300 V AC

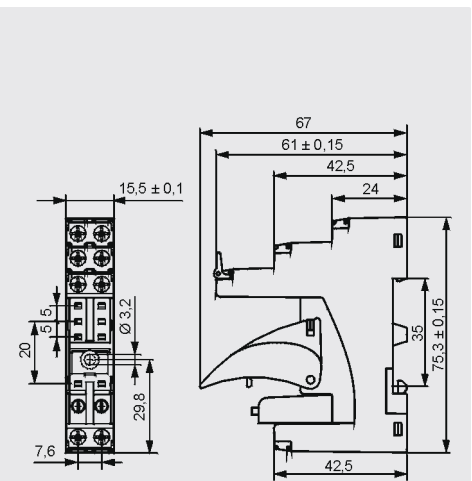


Connection diagrams ①



Accessories ① ZGGZ80 GZM80-0041

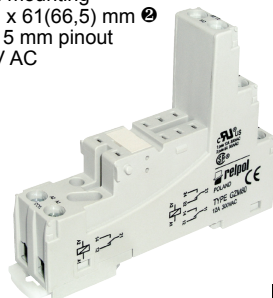
Dimensions



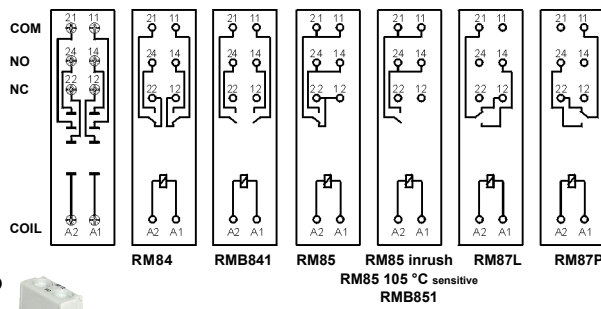
GZM80

For RM84, RM85, RM85 inrush, RM85 105 °C sensitive, RMB841, RMB851, RM87L, RM87L sensitive, RM87P, RM87P sensitive

Screw terminals
Max. tightening moment for the terminal: 0,7 Nm
35 mm rail mount
acc. to PN-EN 60715
or on panel mounting
78,1 x 15,9 x 61(66,5) mm
Two poles, 5 mm pinout
12 A, 300 V AC

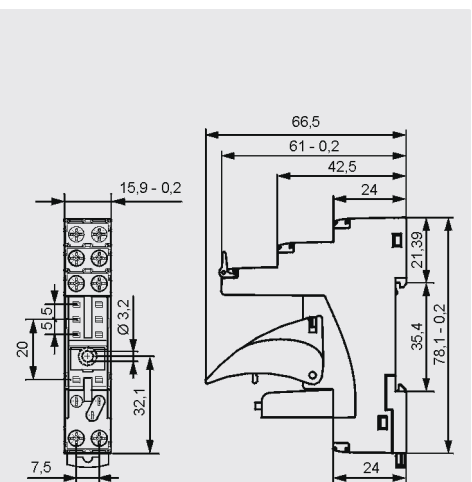


Connection diagrams ①



Accessories ① ZGGZ80 GZM80-0041

Dimensions



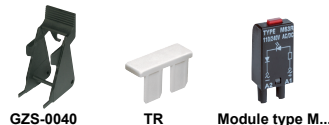
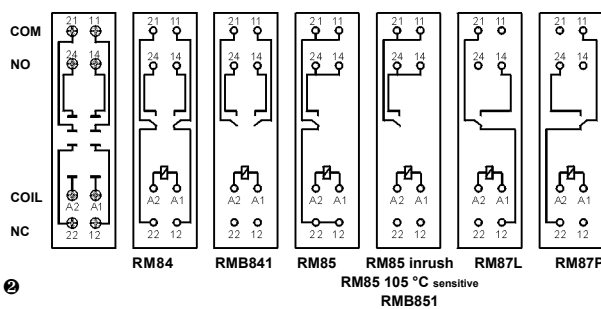
GZS80

For RM84, RM85, RM85 inrush, RM85 105 °C sensitive, RMB841, RMB851, RM87L, RM87L sensitive, RM87P, RM87P sensitive

Screw terminals
Max. tightening moment for the terminal: 0,5 Nm
35 mm rail mount
acc. to PN-EN 60715
or on panel mounting
76,8 x 15,8 x 42,5(57,1) mm
Two poles, 5 mm pinout
10 A, 300 V AC

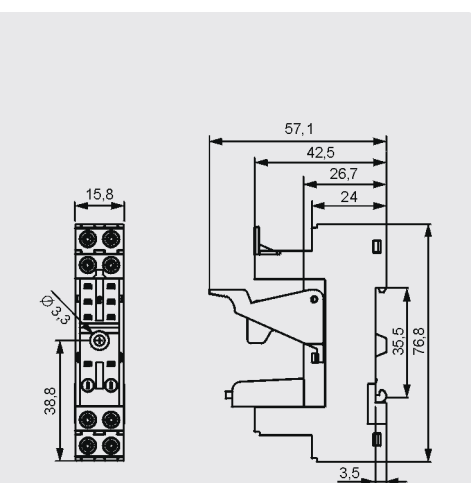


Connection diagrams ①



Accessories ① ZGGZ80 GZM80-0041

Dimensions



① Mounting and sub-assemblies of accessories in the socket - see page 9. Signalling / protecting modules type M... - see page 20. ② In the bracket the height of socket with retainer / retractor clip is shown. ③ For RM85, RM85 inrush, RM85 105 °C sensitive, RMB851: loads above 12 A (GZT80, GZM80) or 10 A (GZS80, GZMB80) require bridging pairs of terminals: 11 with 21, 12 with 22, 14 with 24 - see www.repol.com.pl; For RMB841, RMB851 - see www.repol.com.pl (energizing of bistable relays)

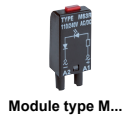
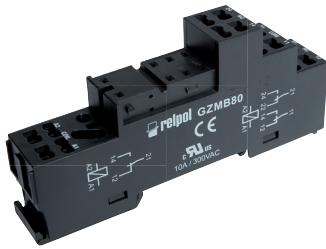
Plug-in sockets and accessories

GZMB80

For RM84, RM85, RM85 inrush, RM85 105 °C sensitive, RMB841, RMB851, RM87L, RM87L sensitive, RM87P, RM87P sensitive

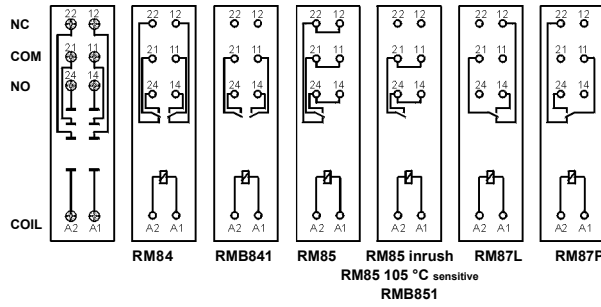
Spring terminals
Max. cross section of the cables:
1 x 0,2...1,5 mm²
(1 x 24...16 AWG)
Length of the cable deinsulation: 9...11 mm

35 mm rail mount
acc. to PN-EN 60715
97 x 16 x 45,2(69) mm
Two poles, 5 mm pinout
10 A, 300 V AC

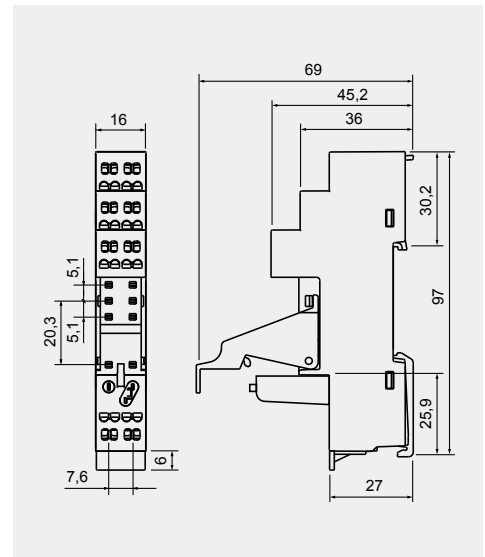


GZMB80-0040 TR Module type M... GZM80-0041

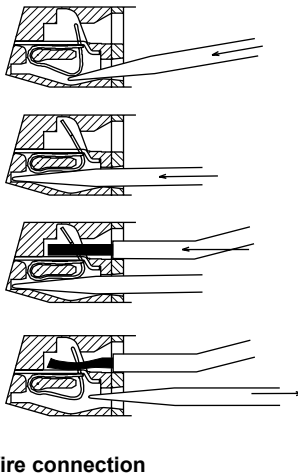
Connection diagrams ⑥



Dimensions



The drawings present the sequence of operations in course of inserting wires to the spring terminal, and the recommended screwdriver to be used for opening of case springs, comply with the DIN 5264 FORM „A”.

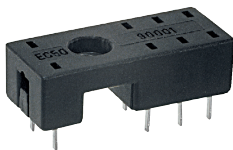


Wire connection

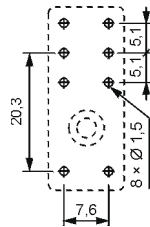
EC 50

For RM84, RM85, RM85 inrush, RM85 105 °C sensitive, RMB841, RMB851, RM87L, RM87L sensitive, RM87P, RM87P sensitive, RM83, RM94

For PCB
31,3 x 12,7 x 9 mm
Two poles, 5 mm pinout
8 A, 300 V AC

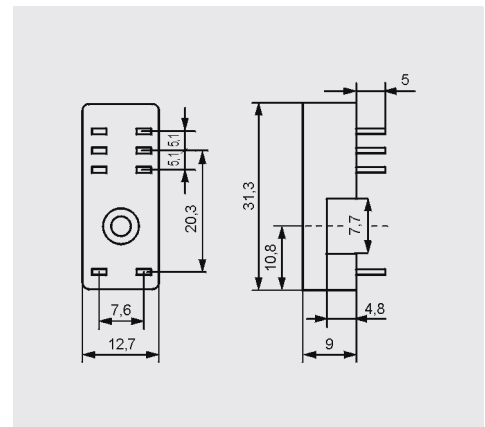


Pinout



Accessories

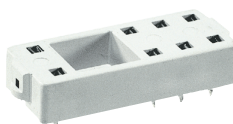
Dimensions



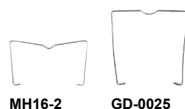
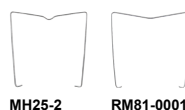
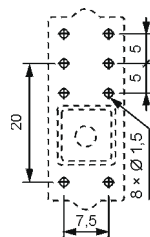
PW80

For RM84, RM85, RM85 inrush, RM85 105 °C sensitive, RMB841, RMB851, RM87L, RM87L sensitive, RM87P, RM87P sensitive, RM83, RM94

For PCB
34,6 x 12,9 x 6,6 mm
Two poles, 5 mm pinout
8 A, 250 V AC

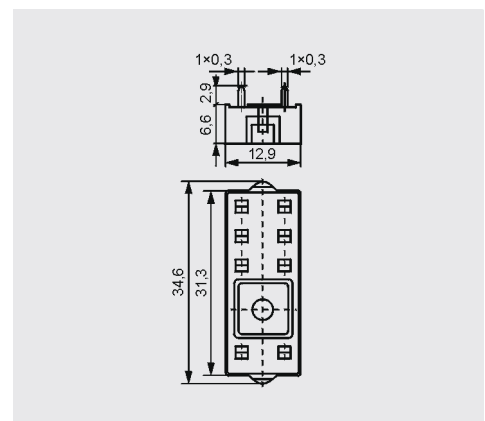


Pinout



Accessories

Dimensions



① Mounting and sub-assemblies of accessories in the socket - see page 9. Signalling / protecting modules type M... - see page 20. ② In the bracket the height of socket with retainer / retractor clip is shown. ③ For RM85, RM85 inrush, RM85 105 °C sensitive, RMB851: loads above 12 A (GZT80, GZM80) or 10 A (GZS80, GZMB80) require bridging pairs of terminals: 11 with 21, 12 with 22, 14 with 24 - see www.repol.com.pl; For RMB841, RMB851 - see www.repol.com.pl (energizing of bistable relays)

Plug-in sockets and accessories

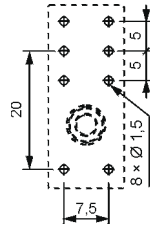
GD50

For RM84, RM85, RM85 inrush, RM85 105 °C sensitive, RMB841, RMB851, RM87L, RM87L sensitive, RM87P, RM87P sensitive, RM83, RM94

For PCB
31,5 x 13 x 9 mm
Two poles, 5 mm pinout
8 A, 300 V AC



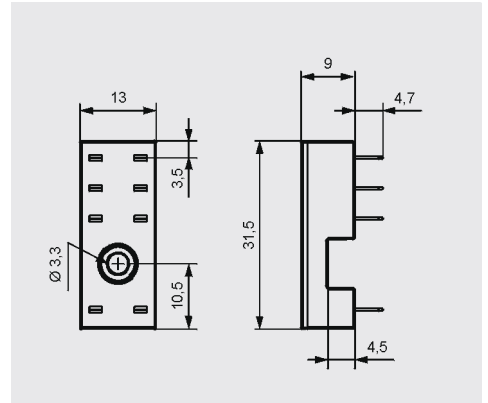
Pinout



RM81-0001



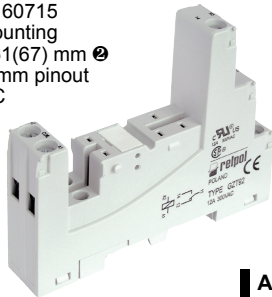
Dimensions



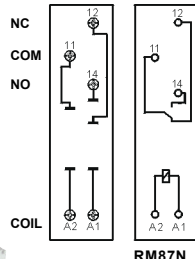
GZT92

For RM87N, RM87N sensitive

Screw terminals
Max. tightening moment for the terminal: 0,7 Nm
35 mm rail mount
acc. to PN-EN 60715
or on panel mounting
75,3 x 15,5 x 61(67) mm ②
One pole, 3,5 mm pinout
12 A, 300 V AC



Connection diagrams



RM87N

GZT80-0040

GZT80-0035

Module type M...

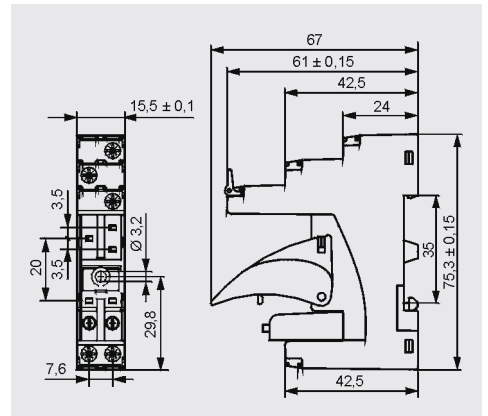


Accessories ①

ZGGZ80

GZM80-0041

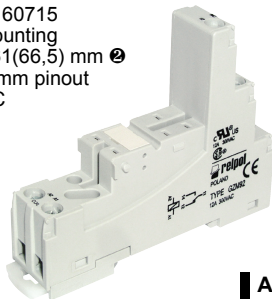
Dimensions



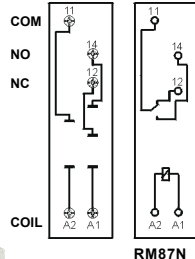
GZM92

For RM87N, RM87N sensitive

Screw terminals
Max. tightening moment for the terminal: 0,7 Nm
35 mm rail mount
acc. to PN-EN 60715
or on panel mounting
78,1 x 15,9 x 61(66,5) mm ②
One pole, 3,5 mm pinout
12 A, 300 V AC



Connection diagrams



RM87N

GZT80-0040

GZT80-0035

Module type M...

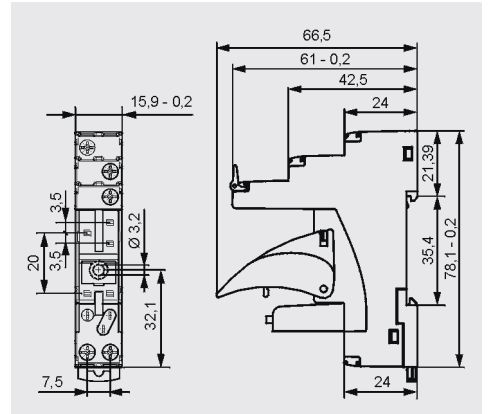


Accessories ①

ZGGZ80

GZM80-0041

Dimensions



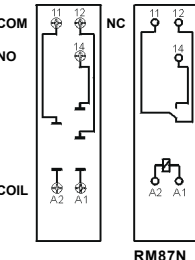
GZS92

For RM87N, RM87N sensitive

Screw terminals
Max. tightening moment for the terminal: 0,5 Nm
35 mm rail mount
acc. to PN-EN 60715
or on panel mounting
76,8 x 15,8 x 42,5(57,1) mm ②
One pole, 3,5 mm pinout
12 A, 300 V AC



Connection diagrams



RM87N

GZS-0040

TR

Module type M...

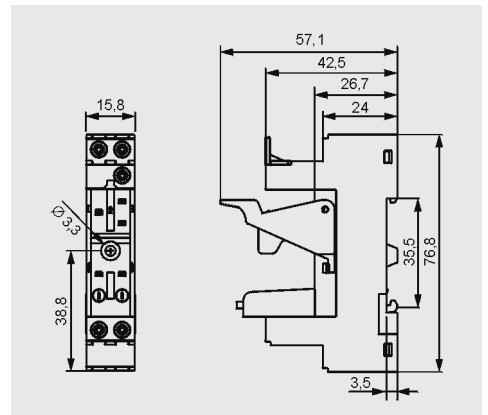


Accessories ①

ZGGZ80

GZM80-0041

Dimensions



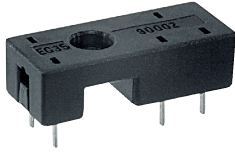
① Mounting and sub-assemblies of accessories in the socket - see page 9. Signalling / protecting modules type M... - see page 20.
② In the bracket the height of socket with retainer / retractor clip is shown.

Plug-in sockets and accessories

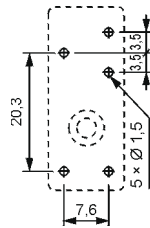
EC 35

For RM87N, RM87N sensitive, RM92

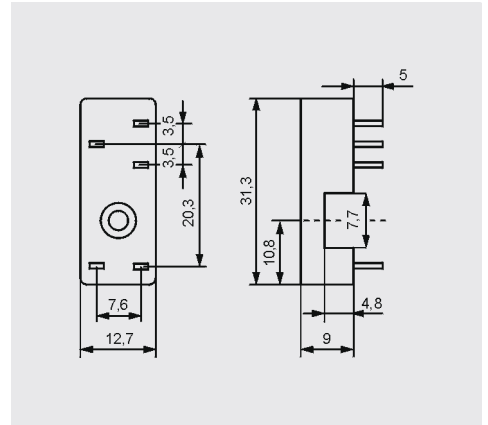
For PCB
31,3 x 12,7 x 9 mm
One pole, 3,5 mm pinout
12 A, 300 V AC



Pinout



Dimensions



Accessories

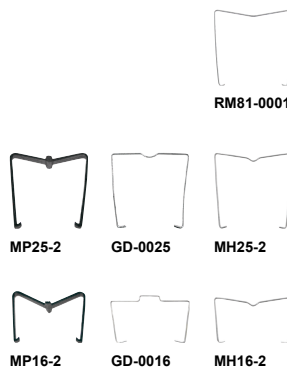
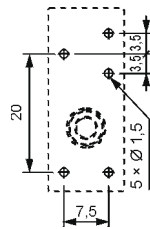
GD35

For RM87N, RM87N sensitive, RM92

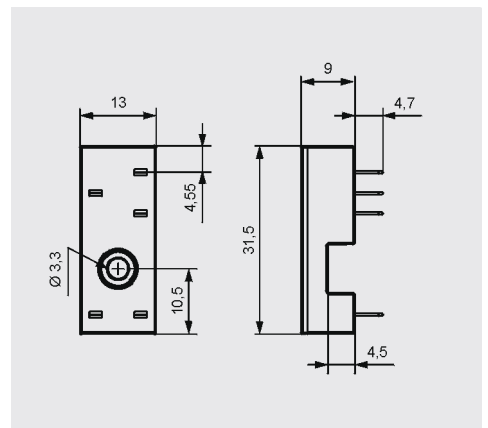
For PCB
31,5 x 13 x 9 mm
One pole, 3,5 mm pinout
12 A, 300 V AC



Pinout



Dimensions

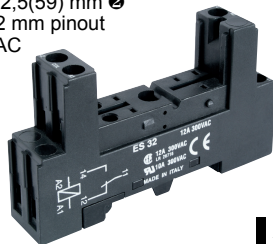


Accessories

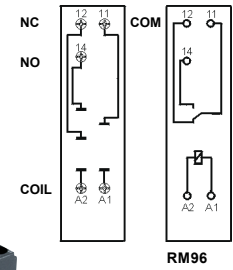
ES 32

For RM96 1 CO

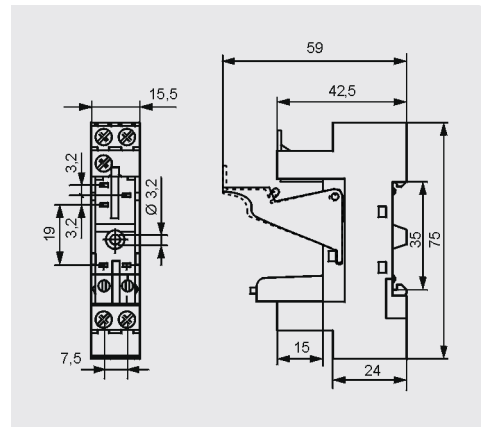
Screw terminals
Max. tightening moment for the terminal: 0,7 Nm
35 mm rail mount acc. to PN-EN 60715 or on panel mounting
75 x 15,5 x 42,5(59) mm [Ⓜ]
One pole, 3,2 mm pinout
12 A, 300 V AC



Connection diagrams



Dimensions

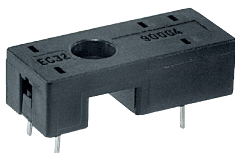


Accessories [Ⓛ]

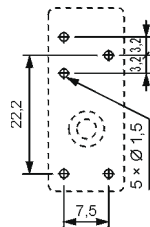
ZGGZ80 GZM80-0041

EC 32

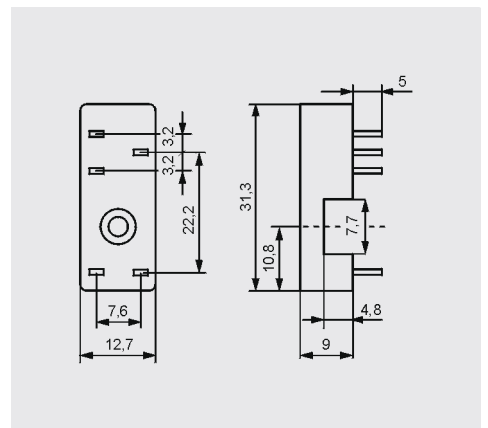
For PCB
31 x 12,7 x 9 mm
One pole, 3,2 mm pinout
12 A, 300 V AC



Pinout



Dimensions



Accessories

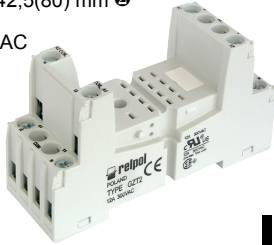
[Ⓛ] Mounting and sub-assemblies of accessories in the socket - see page 9. Signalling / protecting modules type M... - see page 20.
[Ⓜ] In the bracket the height of socket with retainer / retractor clip is shown.

Plug-in sockets and accessories

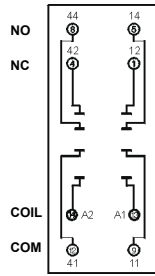
GZT2

For R2N

Screw terminals
Max. tightening moment for the terminal: 0,7 Nm
35 mm rail mount
acc. to PN-EN 60715
or on panel mounting
76,3 x 27 x 42,5(80) mm ②
Two poles
12 A, 300 V AC



Connection diagram



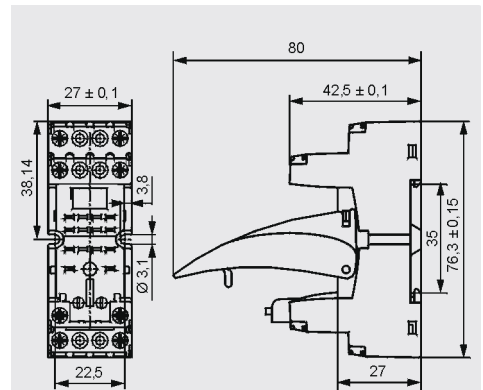
GZT4-0040

G4 1052



Module type M...

Dimensions

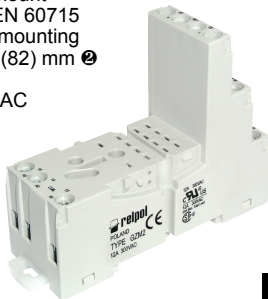


Accessories ①

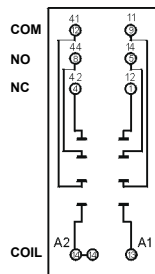
GZM2

For R2N

Screw terminals
Max. tightening moment for the terminal: 0,7 Nm
35 mm rail mount
acc. to PN-EN 60715
or on panel mounting
75 x 27 x 61(82) mm ②
Two poles
12 A, 300 V AC



Connection diagram



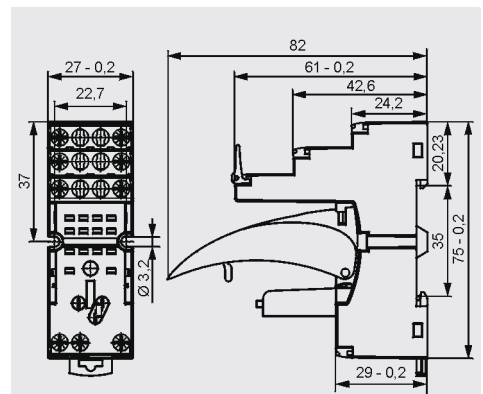
GZT4-0040

G4 1052



Module type M...

Dimensions



Accessories ①

GZMB2

For R2N

Spring terminals
Max. cross section of the cables:
1 x 0,2...1,5 mm²
(1 x 24...16 AWG)
Length of the cable deinsulation:
9...11 mm

35 mm rail mount
acc. to PN-EN 60715
95 x 31 x 42,5(80) mm ②
Two poles
10 A, 300 V AC



GZMB4-0040



TR

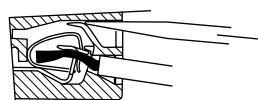
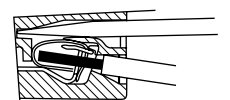
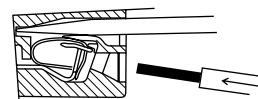
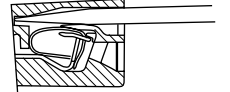
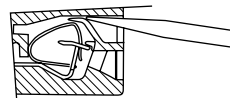
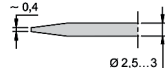
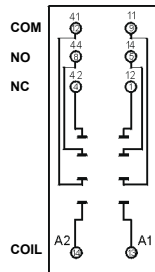


Module type M...

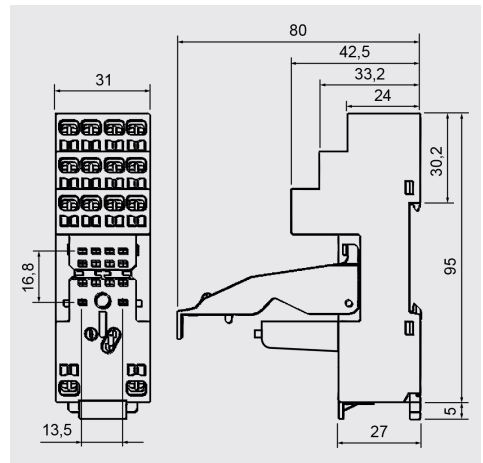


G4 1052

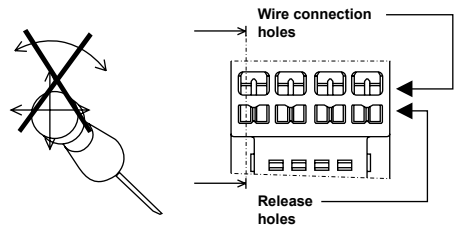
Connection diagram



Dimensions



The drawings present the sequence of operations in course of inserting wires to the spring terminal, and the recommended screwdriver to be used for opening of case springs, comply with the DIN 5264 FORM „A“.



Accessories ①

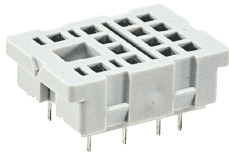
Wire connection

- ① Mounting and sub-assemblies of accessories in the socket - see page 9. Signalling / protecting modules type M... - see page 20.
- ② In the bracket the height of socket with retainer / retractor clip is shown.

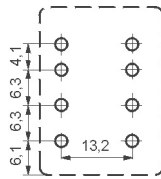
Plug-in sockets and accessories

SU4/2D

For R2N
For PCB
29,6 x 21,5 x 11 mm
Two poles
12 A, 250 V AC



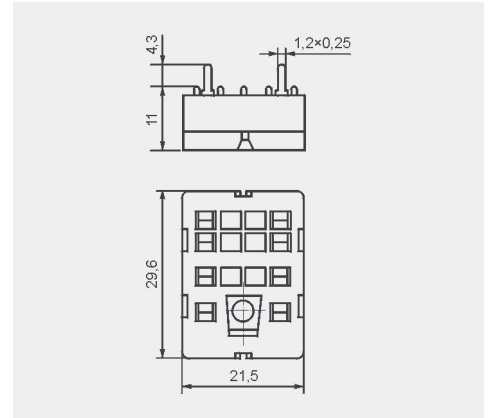
Pinout



Accessories

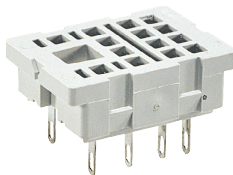
G4 1053

Dimensions

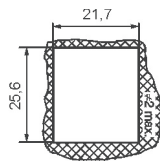


SU4/2L

For R2N
Solder terminals
29,6 x 21,5 x 18,1 mm
Two poles
12 A, 250 V AC



Dimensions of opening on panel mounting

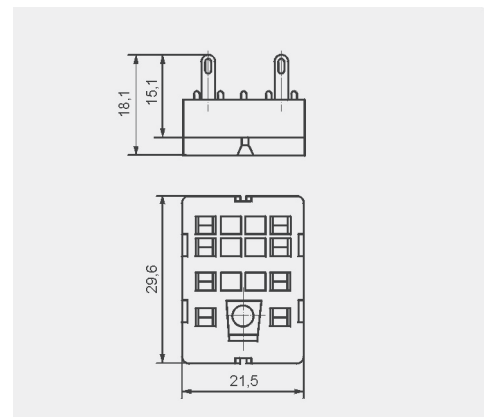


Accessories

G4 1053

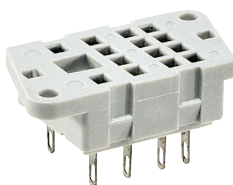
G4 1040

Dimensions

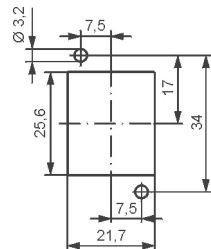


G4/2

For R2N
Solder terminals
40,5 x 21,5 x 18,1 mm
Two poles
12 A, 250 V AC



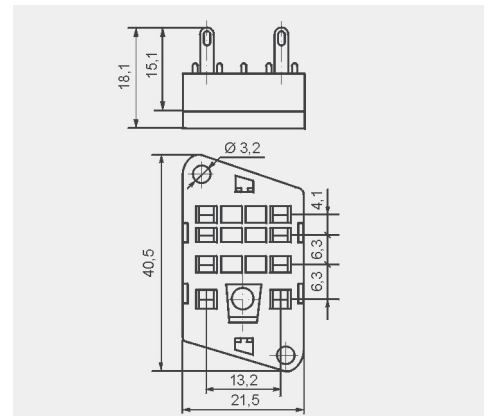
Pinout of openings on panel mounting



Accessories

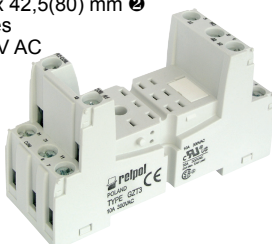
G4 1053

Dimensions

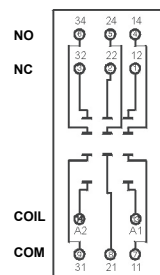


GZT3

For R3N
Screw terminals
Max. tightening moment for the terminal: 0,7 Nm
35 mm rail mount acc. to PN-EN 60715 or on panel mounting 76,3 x 27 x 42,5(80) mm
Three poles
10 A, 300 V AC



Connection diagram



ZGGZ4



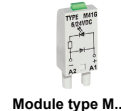
GZT4-0040



G4 1052



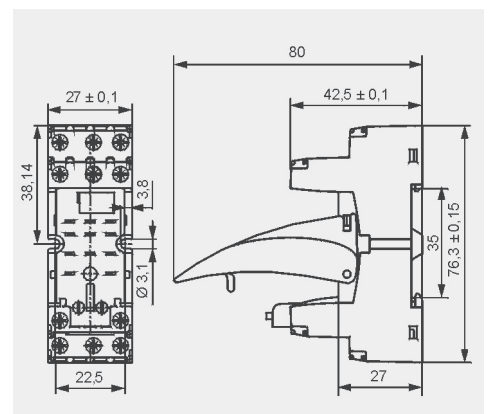
GZT4-0035



Module type M...

Accessories ❶

Dimensions



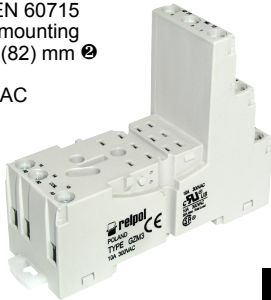
❶ Mounting and sub-assemblies of accessories in the socket - see page 9. Signalling / protecting modules type M... - see page 20.
❷ In the bracket the height of socket with retainer / retractor clip is shown.

Plug-in sockets and accessories

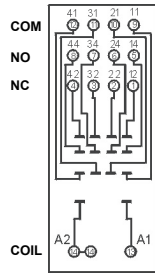
GZM3

For R3N

Screw terminals
Max. tightening moment for the terminal: 0,7 Nm
35 mm rail mount
acc. to PN-EN 60715
or on panel mounting
75 x 27 x 61(82) mm ②
Three poles
10 A, 300 V AC



Connection diagram



ZGGZ4

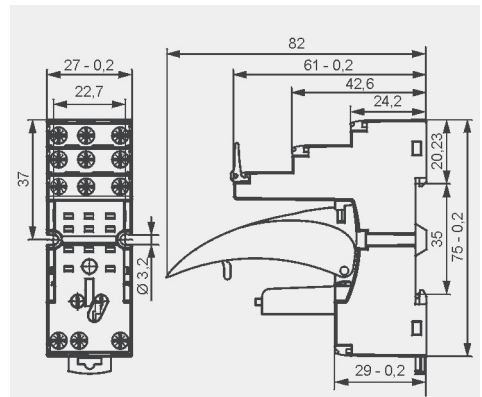


GZT4-0040 G4 1052



GZT4-0035 Module type M...

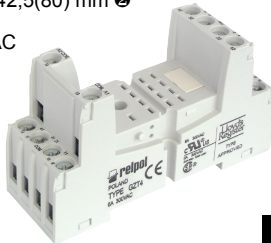
Dimensions



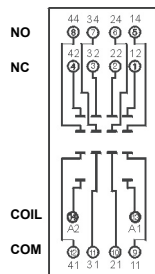
GZT4 ④

For R4N, T-R4

Screw terminals
Max. tightening moment for the terminal: 0,7 Nm
35 mm rail mount
acc. to PN-EN 60715
or on panel mounting
76,3 x 27 x 42,5(80) mm ②
Four poles
6 A, 300 V AC



Connection diagram



ZGGZ4

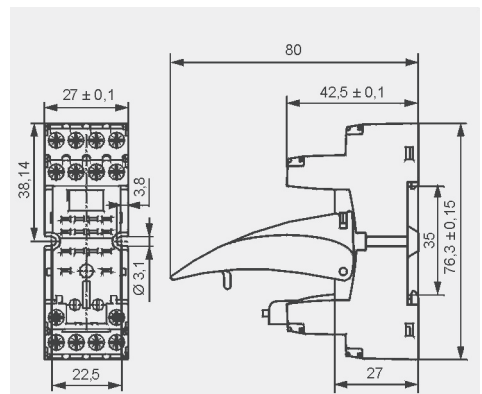


TR4-2000 GZT4-0040 G4 1052



GZT4-0035 Module type M...

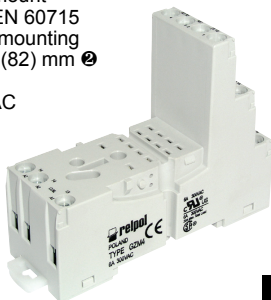
Dimensions



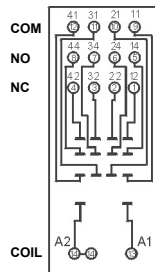
GZM4

For R4N, T-R4

Screw terminals
Max. tightening moment for the terminal: 0,7 Nm
35 mm rail mount
acc. to PN-EN 60715
or on panel mounting
75 x 27 x 61(82) mm ②
Four poles
6 A, 300 V AC



Connection diagram



ZGGZ4

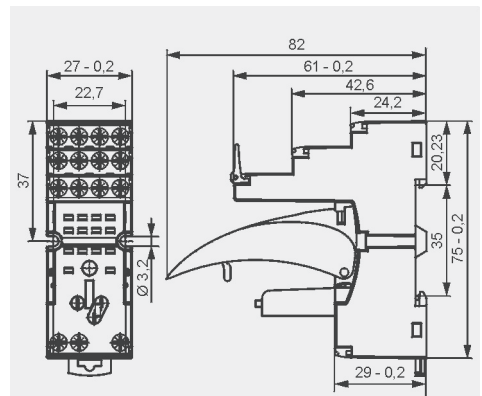


TR4-2000 GZT4-0040 G4 1052



GZT4-0035 Module type M...

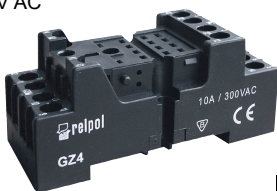
Dimensions



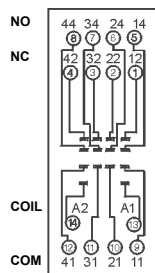
GZ4

For R4N

Screw terminals
Max. tightening moment for the terminal: 0,7 Nm
35 mm rail mount
acc. to PN-EN 60715
or on panel mounting
66,4 x 29,5 x 29 mm
Four poles
10 A, 300 V AC

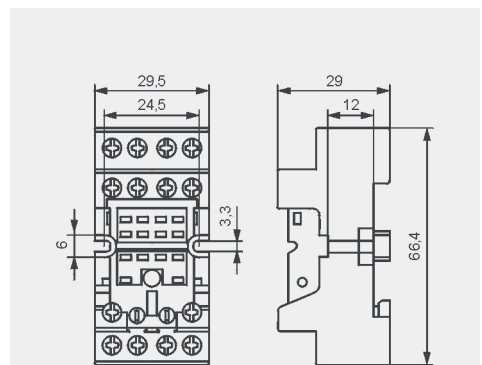


Connection diagram



G4 1052

Dimensions



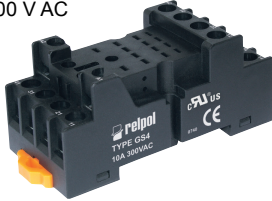
① Mounting and sub-assemblies of accessories in the socket - see page 9. Signalling / protecting modules type M... - see page 20. ② In the bracket the height of socket with retainer / retractor clip is shown. ④ Have obtained LR Type Approval Certificate (Lloyd's Register). ⑤ For R4 relays: G4 1052, GZT4-0040, GZMB-0040, GZT4-0035, TR, module type M...; for T-R4 relays: TR4-2000, GZT4-0035, TR

Plug-in sockets and accessories

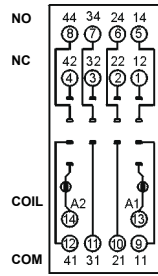
GS4

For R4N

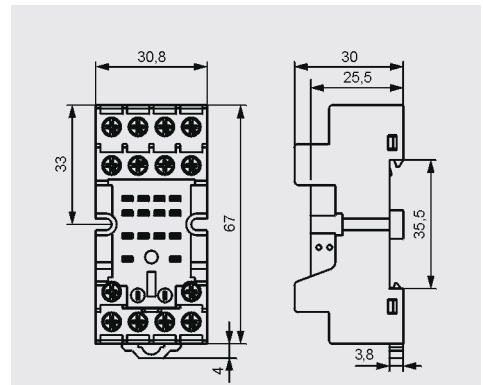
Screw terminals
Max. tightening moment for the terminal: 0,7 Nm
35 mm rail mount
acc. to PN-EN 60715
or on panel mounting
67 x 30,8 x 30 (~63,7) mm ⑥
Four poles
6 A, 300 V AC



Connection diagram



Dimensions



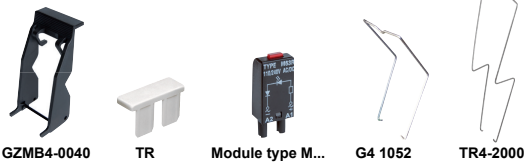
Accessories

GZMB4

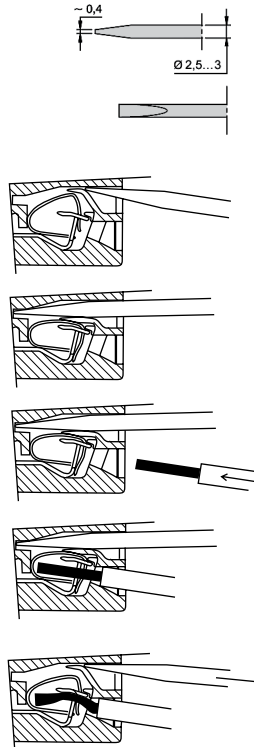
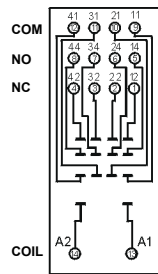
For R4N, T-R4

Spring terminals
Max. cross section of the cables:
1 x 0,2...1,5 mm²
(1 x 24...16 AWG)
Length of the cable deinsulation:
9...11 mm

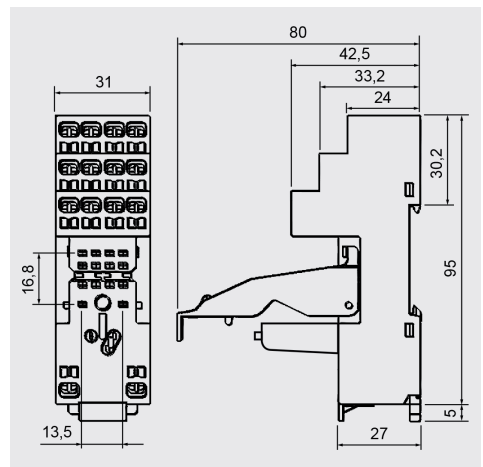
35 mm rail mount
acc. to PN-EN 60715
95 x 31 x 42,5(80) mm ②
Four poles
10 A, 300 V AC



Connection diagram



Dimensions



The drawings present the sequence of operations in course of inserting wires to the spring terminal, and the recommended screwdriver to be used for opening of case springs, comply with the DIN 5264 FORM „A“.

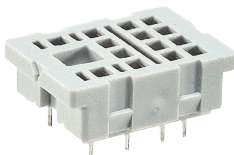
Accessories ① ⑤

Wire connection

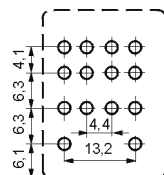
SU4D

For R4N

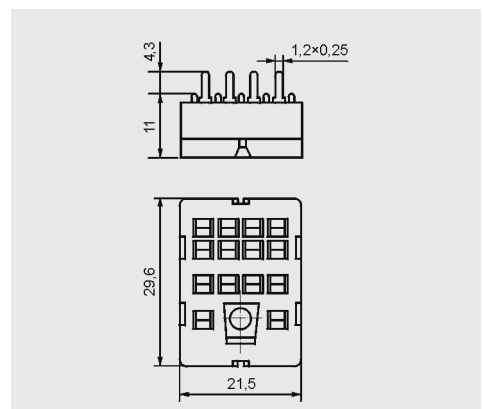
For PCB
29,6 x 21,5 x 11 mm
Four poles
6 A, 250 V AC



Pinout



Dimensions



Accessories

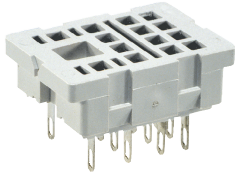
① Mounting and sub-assemblies of accessories in the socket - see page 9. Signalling / protecting modules type M... - see page 20. ② In the bracket the height of socket with retainer / retractor clip is shown. ⑤ For R4N relays: G4 1052, GZT4-0040, GZMB-0040, GZT4-0035, TR, module type M...; for T-R4 relays: TR4-2000, GZT4-0035, TR ⑥ In the bracket the height of socket with spring wire clip is shown.

Plug-in sockets and accessories

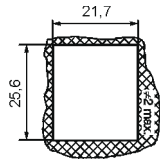
SU4L

For R4N

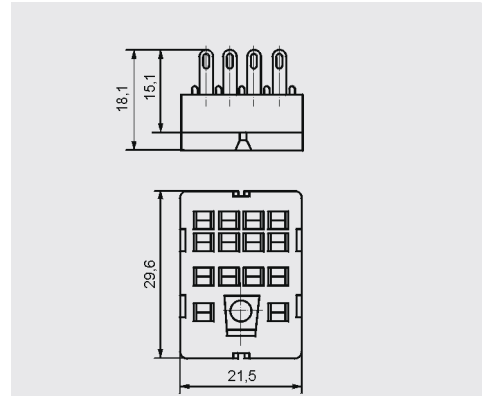
Solder terminals
29,6 x 21,5 x 18,1 mm
Four poles
6 A, 250 V AC



Dimensions of opening on panel mounting



Dimensions



Accessories

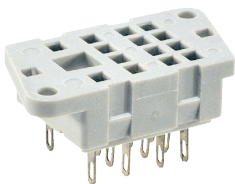
G4 1053

G4 1040

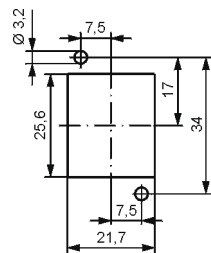
G4

For R4N

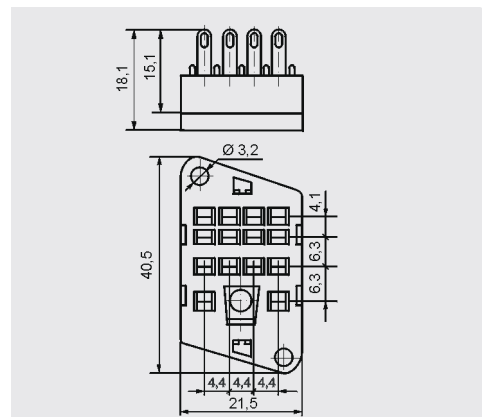
Solder terminals
40,5 x 21,5 x 18,1 mm
Four poles
6 A, 250 V AC



Pinout of openings on panel mounting



Dimensions



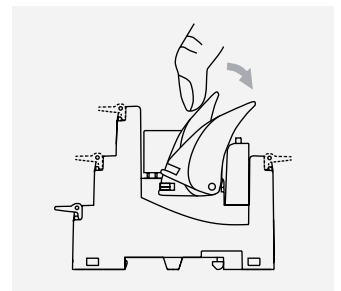
Accessories

G4 1053

Mounting and sub-assemblies of the relay and accessories in the socket

Signalling / protecting module
type M...

Electromagnetic
relay

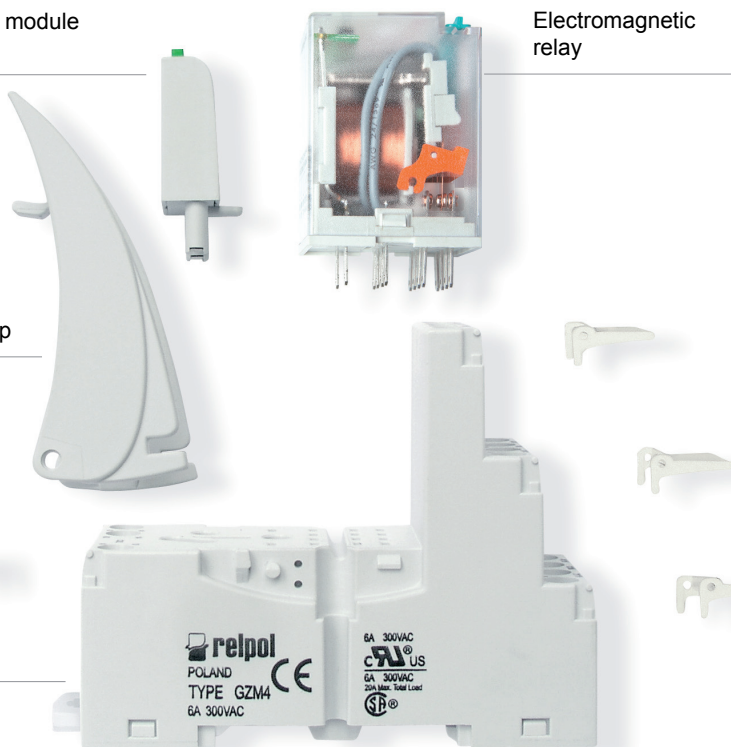


Removing the relay from the socket
with a retractor / retractor clip

Retainer / retractor clip

Screw terminals
plug-in socket

Description plate



Plug-in sockets and accessories

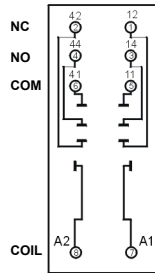
GZY2G

For RY2

Screw terminals
Max. tightening moment
for the terminal: 0,7 Nm
35 mm rail mount
acc. to PN-EN 60715
or on panel mounting
78,7 x 28 x 32,4 mm
Two poles
12 A, 250 V AC



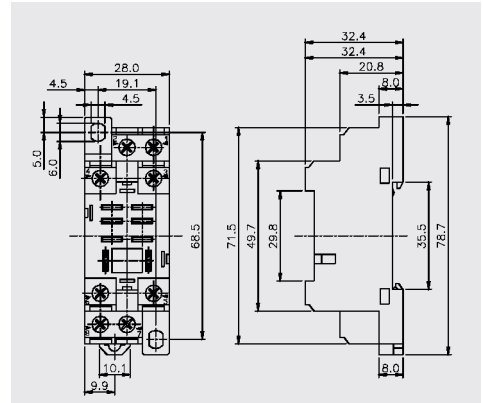
Connection diagram



Accessories

GZY2G-0041

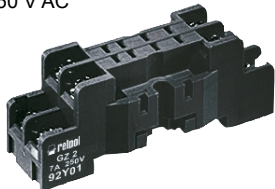
Dimensions



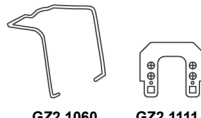
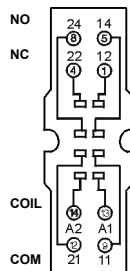
GZ2

For R2M

Screw terminals
Max. tightening moment
for the terminal: 0,7 Nm
35 mm rail mount
acc. to PN-EN 60715
or on panel mounting
65,2 x 20 x 25 mm
Two poles
7 A, 250 V AC



Connection diagram

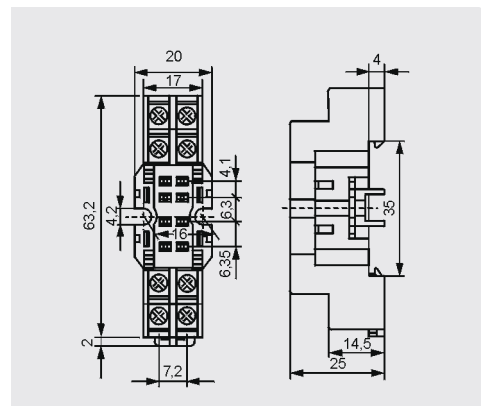


Accessories

GZ2 1060

GZ2 1111

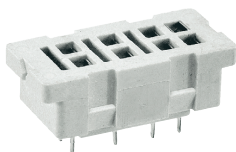
Dimensions



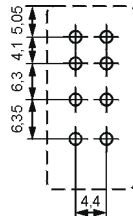
S2M

For R2M

For PCB
29,6 x 14 x 10,5 mm
Two poles
5 A, 250 V AC



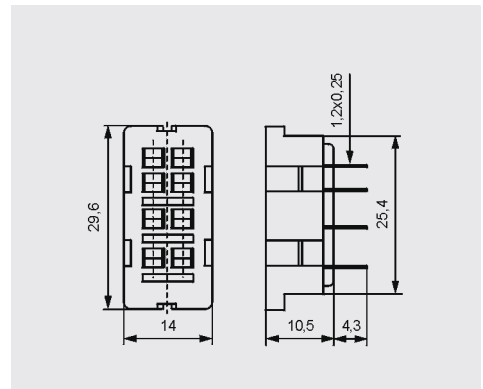
Pinout



Accessories

G4 1050

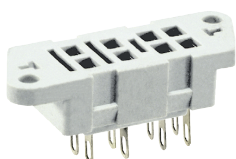
Dimensions



G2M

For R2M

Solder terminals
40,5 x 14 x 10,5 mm
Two poles
5 A, 250 V AC

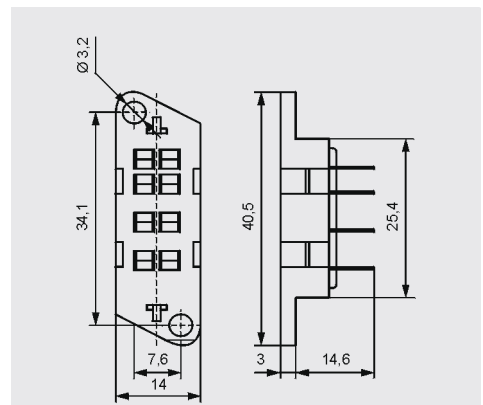


Accessories

G4 1050

G2M 1020

Dimensions

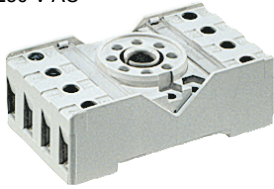


Plug-in sockets and accessories

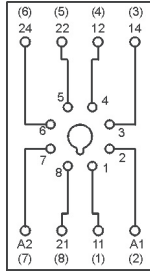
PZ8 ④

For R15 - 2 CO

Screw terminals
Max. tightening moment
for the terminal: 0,7 Nm
35 mm rail mount
acc. to PN-EN 60715
or on panel mounting
68,2 x 38 x 24,2 mm
Two poles
10 A, 250 V AC



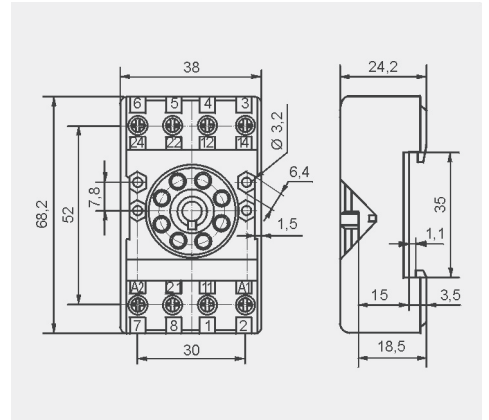
Connection diagram



PZ11 0031

Accessories

Dimensions



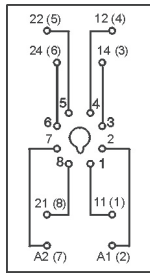
GZU8

For R15 - 2 CO

Screw terminals
Max. tightening moment
for the terminal: 0,7 Nm
35 mm rail mount
acc. to PN-EN 60715
82 x 35,5 x 25,7 mm
Two poles
10 A, 300 V AC



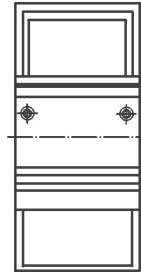
Connection diagram



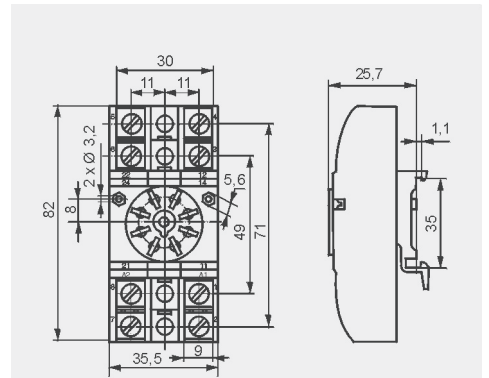
GZU 1052

Accessories

Adaptor



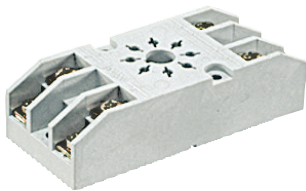
Dimensions



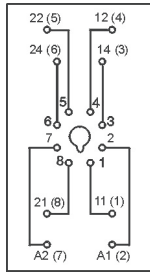
GZ8

For R15 - 2 CO

Screw terminals
Max. tightening moment
for the terminal: 0,7 Nm
On panel mounting
82,8 x 35,5 x 22,5 mm
Two poles
10 A, 300 V AC



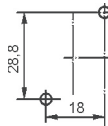
Connection diagram



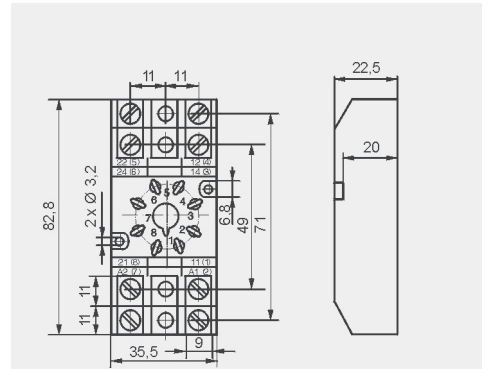
GZ 1050

Accessories

Mounting dimensions



Dimensions



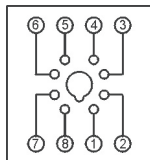
GZS8

For R15 - 2 CO

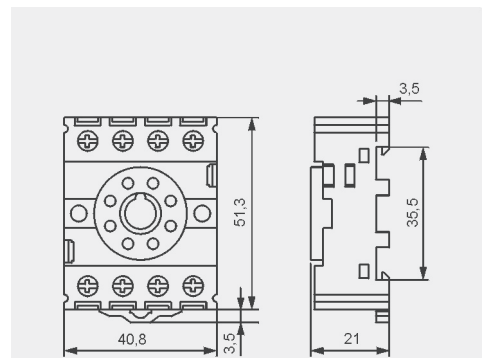
Screw terminals
Max. tightening moment
for the terminal: 1,0 Nm
35 mm rail mount
acc. to PN-EN 60715
or on panel mounting
51,3 x 40,8 x 21 mm
Two poles
10 A, 300 V AC



Connection diagram



Dimensions



④ Have obtained LR Type Approval Certificate (Lloyd's Register).

Plug-in sockets and accessories

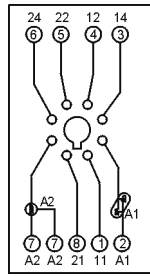
GZP8

For R15 - 2 CO

Screw terminals
Max. tightening moment
for the terminal: 0,5 Nm
35 mm rail mount
acc. to PN-EN 60715
or on panel mounting
73 x 38,2 x 27,2 mm
Two poles
12 A, 300 V AC



Connection diagram



Time module COM3



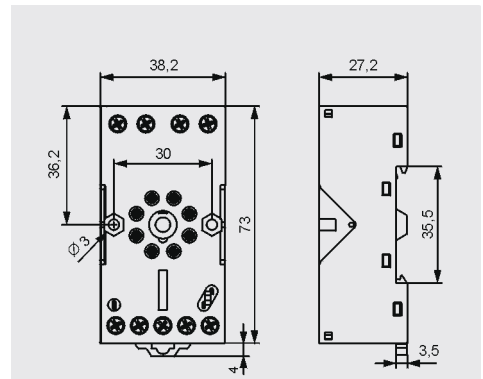
GZP-0054



GZP-0035

Accessories

Dimensions



GOP8

For R15 - 2 CO

Solder terminals
47,2 x 32 x 22 mm
Two poles
10 A, 250 V AC



Accessories

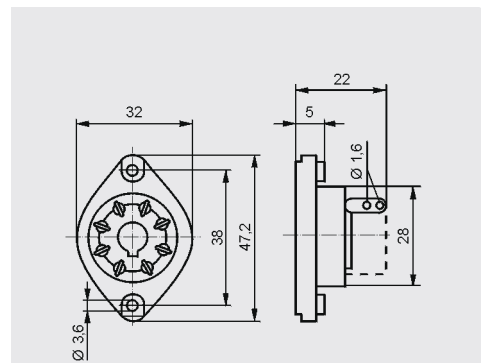


R159 1051



R15 5922

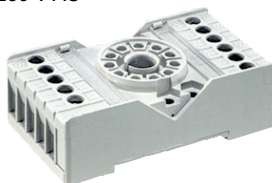
Dimensions



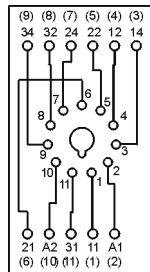
PS11

For R15 - 3 CO

Screw terminals
Max. tightening moment
for the terminal: 0,7 Nm
35 mm rail mount
acc. to PN-EN 60715
or on panel mounting
68,2 x 38 x 24,2 mm
Three poles
10 A, 250 V AC



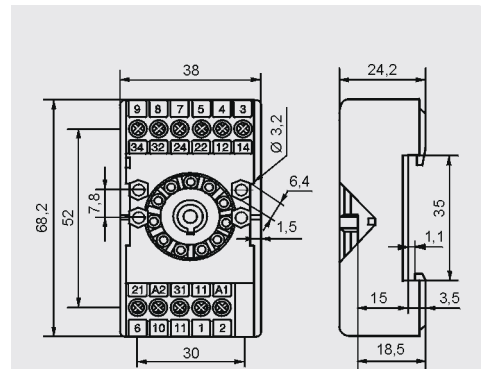
Connection diagram



PZ11 0031

Accessories

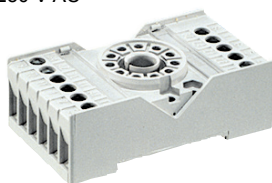
Dimensions



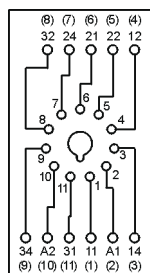
PZ11

For R15 - 3 CO

Screw terminals
Max. tightening moment
for the terminal: 0,7 Nm
35 mm rail mount
acc. to PN-EN 60715
or on panel mounting
68,2 x 38 x 24,2 mm
Three poles
10 A, 250 V AC



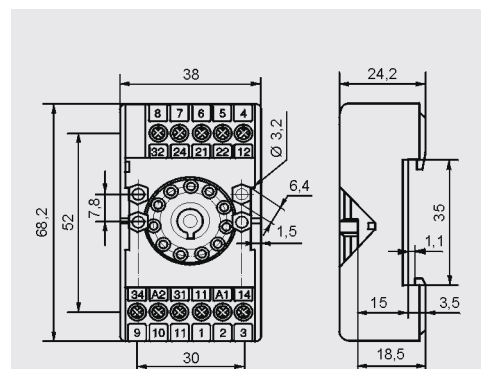
Connection diagram



PZ11 0031

Accessories

Dimensions



Ⓛ Have obtained LR Type Approval Certificate (Lloyd's Register).

Plug-in sockets and accessories

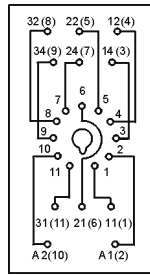
GZU11

For R15 - 3 CO

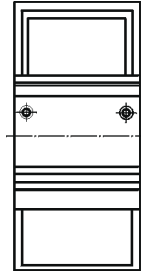
Screw terminals
Max. tightening moment
for the terminal: 0,7 Nm
35 mm rail mount
acc. to PN-EN 60715
82 x 35,5 x 25,7 mm
Three poles
10 A, 250 V AC



Connection diagram

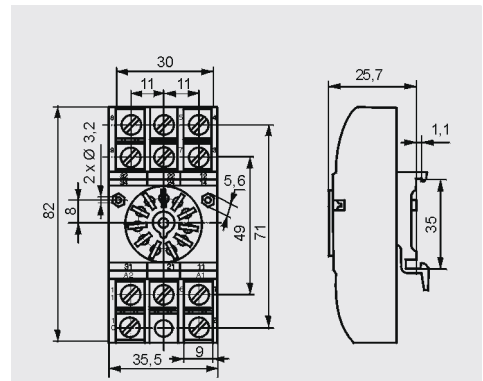


Adaptor



GZU 1052

Dimensions

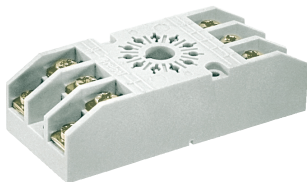


Accessories

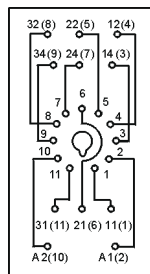
GZ11

For R15 - 3 CO

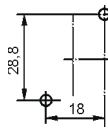
Screw terminals
Max. tightening moment
for the terminal: 0,7 Nm
On panel mounting
82,8 x 35,5 x 22,5 mm
Three poles
10 A, 250 V AC



Connection diagram

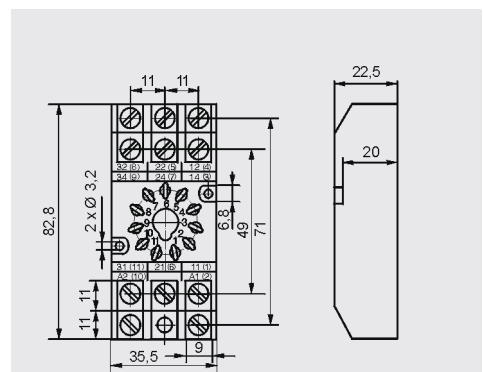


Mounting dimensions



GZ 1050

Dimensions

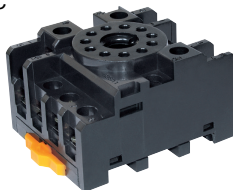


Accessories

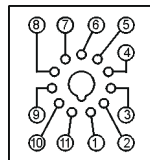
GZS11

For R15 - 3 CO

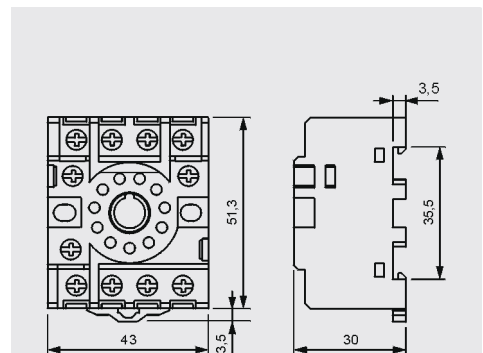
Screw terminals
Max. tightening moment
for the terminal: 1,0 Nm
35 mm rail mount
acc. to PN-EN 60715
or on panel mounting
51,3 x 43 x 30 mm
Three poles
10 A, 300 V AC



Connection diagram



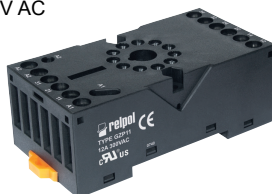
Dimensions



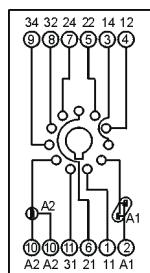
GZP11

For R15 - 3 CO

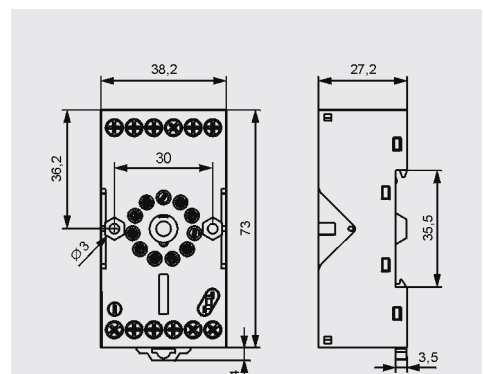
Screw terminals
Max. tightening moment
for the terminal: 0,5 Nm
35 mm rail mount
acc. to PN-EN 60715
or on panel mounting
73 x 38,2 x 27,2 mm
Three poles
12 A, 300 V AC



Connection diagram



Dimensions



Accessories



GZP-0054



Time module COM3



GZP-0035

Plug-in sockets and accessories

GOP11

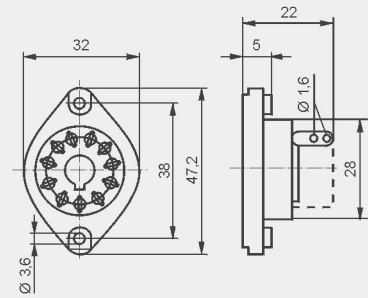
For R15 - 3 CO

Solder terminals
47,2 x 32 x 22 mm
Three poles
10 A, 250 V AC



R159 1051 R15 5922

Dimensions

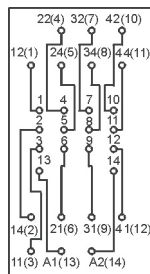
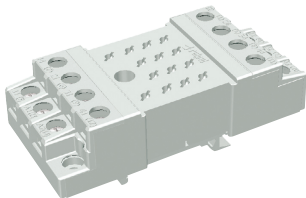


Accessories

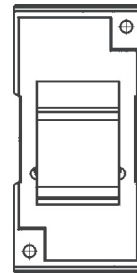
GZ14U

For R15 - 4 CO

Screw terminals
Max. tightening moment
for the terminal: 0,7 Nm
35 mm rail mount
acc. to PN-EN 60715
96,8 x 46,4 x 33,3 mm
Four poles
10 A, 250 V AC

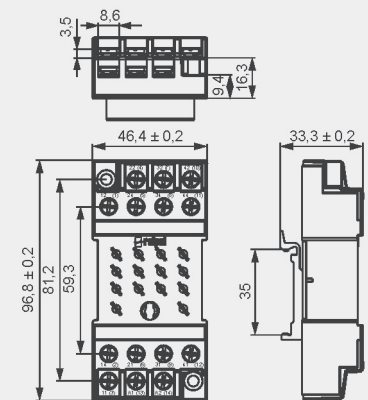


Adaptor



GZ14 0737

Dimensions

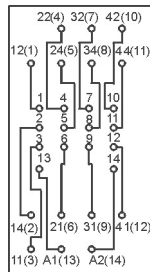
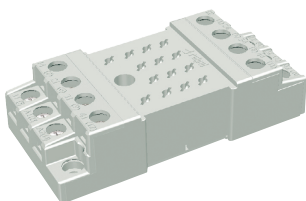


Connection diagram

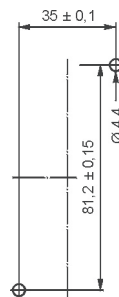
GZ14

For R15 - 4 CO

Screw terminals
Max. tightening moment
for the terminal: 0,7 Nm
On panel mounting
96,8 x 46,4 x 24,5 mm
Four poles
10 A, 250 V AC

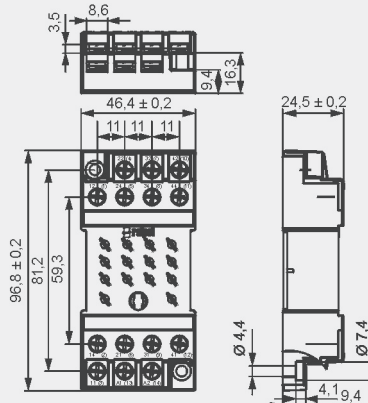


Mounting dimensions



GZ14 0737

Dimensions

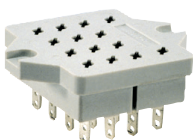


Connection diagram

GOP14

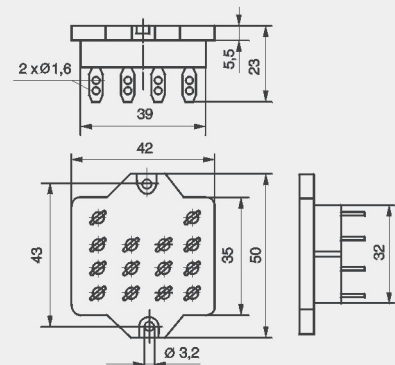
For R15 - 4 CO

Solder terminals
50 x 42 x 23 mm
Four poles
10 A, 250 V AC



R15 0736 R15 5922

Dimensions



Accessories

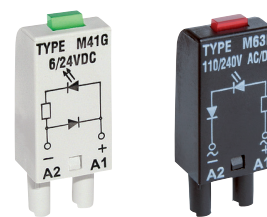
Signalling / protecting modules type M...

For sockets type:

GZT80, GZM80, GZS80, GZMB80, GZT92, GZM92, GZS92, ES 32,
GZT2, GZM2, GZMB2, GZT3, GZM3, GZT4, GZM4, GZMB4

Modules type M... are parallelly connected with relay coil.

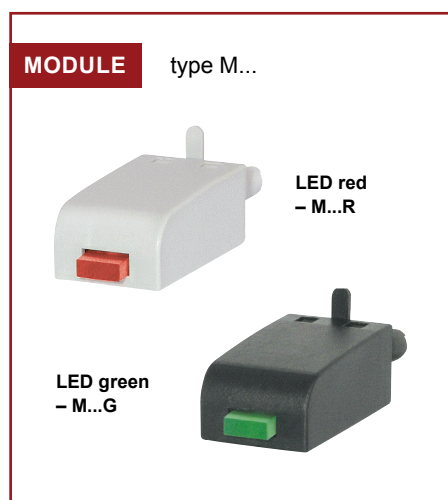
Polarity P: -A1/+A2. Polarity N: +A1/-A2.



Modules type M...	Layout	Voltage	Type of module ① ②
Module D (polarization P) It limits overvoltage on DC coils.		6/230 V DC	M21P
Module D (polarization N) It limits overvoltage on DC coils.		6/230 V DC	M21N
Module LD (polarization P) It limits overvoltage on DC coils. Coil energizing indication.		6/24 V DC 24/60 V DC 110/230 V DC	M31R, M31G M32R, M32G M33R, M33G
Module LD (polarization N) It limits overvoltage on DC coils. Coil energizing indication.		6/24 V DC 24/60 V DC 110/230 V DC	M41R, M41G M42R, M42G M43R, M43G
Module RC It protects against EMC disturbance. It limits overvoltage.		6/24 V AC 24/60 V AC 110/240 V AC	M51 M52 M53
Module L Coil energizing indication.		6/24 V AC/DC 24/60 V AC/DC 110/230 V AC/DC	M61R, M61G M62R, M62G M63R, M63G
Module LV It limits overvoltage on AC and DC coils. Coil energizing indication.		6/24 V AC/DC 24/60 V AC/DC 110/230 V AC/DC	M91R, M91G M92R, M92G M93R, M93G
Module V It limits overvoltage on AC and DC coils. No indication.		24 V AC 130 V AC 230 V AC	M71 M72 M73
Module R It limits overvoltage on AC coils.		110/230 V AC	M103

① M...R - LED red, M...G - LED green

② When ordering modules indicate their color: gray or black.



Interconnection strips ZGGZ80



PI85-...-00L.
(RM85 + GZM80)

ZGGZ80

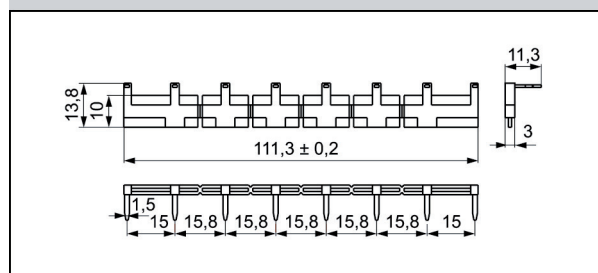
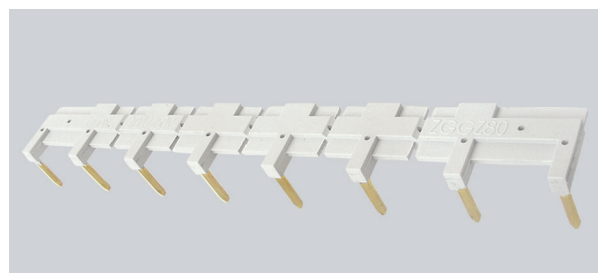
ZGGZ80 for:

Plug-in sockets	Relays for plug-in sockets	Interface relays ③
GZT80	RM84, RM85, RM85 inrush, RM85 105 °C sensitive, RMB841, RMB851, RM87L ④, RM87P ④, RM87N ④	PI84-...-M...G (RM84 + GZT80)
GZM80		PI84-...-00L. (RM84 + GZM80)
GZS80		PI85-...-M...G (RM85 + GZT80)
GZT92		PI85-...-00L. (RM85 + GZM80)
GZM92		
GZS92		
ES 32	RM96 1 CO	

③ Interface relay PI84 (PI85) is offered as a set: plug-in socket GZT80 or GZM80 + miniature relay RM84 (RM85) + signalling / protecting module type M... + retainer / retractor clip GZT80-0040 + description plate GZT80-0035. ④ Also versions RM87. sensitive

Interconnection strip ZGGZ80

- designed for the co-operation with plug-in sockets of miniature relays and with interface relays PI84 and PI85, which are equipped with screw terminals; sockets and relays are mounted on 35 mm rail mount acc. to PN-EN 60715,
- bridges common input signals (coil terminals A1 or A2) or output signals - see photo at the top,
- maximum permissible current is 10 A / 250 V AC,
- possibility of connection of 8 sockets or relays,
- colours of strips: **ZGGZ80-1** grey, **ZGGZ80-2** black.



Interconnection strips ZGGZ4



PIR2-...-00L.
(R2N + GZM2)

ZGGZ4

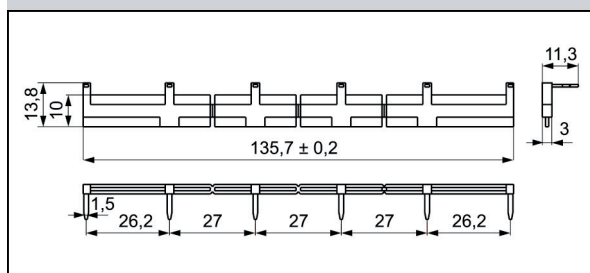
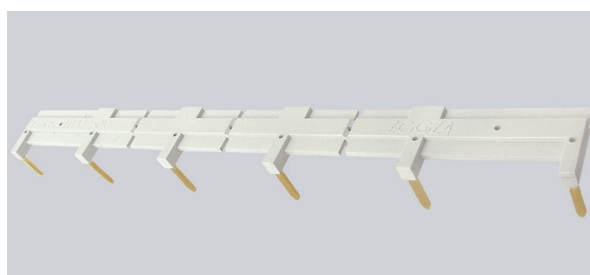
■ ZGGZ4 for:

Plug-in sockets	Relays for plug-in sockets	Interface relays ⑥
GZT2	R2N	PIR2-...-00L. (R2N + GZM2)
GZM2		PIR3-...-00L. (R3N + GZM3)
GZT3	R3N	PIR4-...-00L. (R4N + GZM4)
GZM3		
GZT4	R4N	
GZM4		



⑥ Interface relay **PIR2 (PIR3, PIR4)** is offered as a **set**: plug-in socket **GZM2 (GZM3, GZM4)** + miniature industrial relay **R2N (R3N, R4N)** + signalling / protecting module **type M...** + retainer / retractor clip **GZT4-0040** + description plate **GZT4-0035**.








■ Interconnection strip ZGGZ4


- designed for the co-operation with plug-in sockets of miniature industrial relays and with interface relays PIR2, PIR3 and PIR4, which are equipped with screw terminals; sockets and relays are mounted on 35 mm rail mount acc. to PN-EN 60715,
- bridges common input signals (coil terminals A1 or A2) or output signals - see photo at the top,
- maximum permissible current is 10 A / 250 V AC,
- possibility of connection of 6 sockets or relays,
- colours of strips: **ZGGZ4-1** grey, **ZGGZ4-2** black.



Additional features for industrial relays

Industrial relays for plug-in sockets: R2N, R3N, R4N, R15 - 2 CO , R15 - 3 CO  with **WT features as standard** (**W** - mechanical indicator + **T** - lockable front test button). **Detailed information** on additional features of individual relays can be found in the data sheets on the side of "Ordering codes".

Type 	Description	For industrial relays
W	mechanical indicator	R2N, R3N, R4N, (R15 - 2 CO, 3 CO )
T	lockable front test button, orange colour - AC coils, green colour - DC coils	R2N, R3N, R4N, (R15 - 2 CO, 3 CO )
L	light indicator (LED diode), located inside the relay	R2N, R3N, R4N, RY2, (R15 - 2 CO, 3 CO, 4 CO ) RUC, RUC-M
D	surge suppression element (diode) - only for DC coils	R2N, R3N, R4N, RY2, (R15 - 2 CO, 3 CO, 4 CO )
V	surge suppression element (varistor) - only for AC coils	(R15 - 2 CO, 3 CO )
K	test button without block function	(R15 - 4 CO ) RUC

 Available combinations:

WT, WTL, WTD, WTL D - in relays R2N, R3N, R4N for plug-in sockets


L, D, LD - in relays RY2 for plug-in sockets

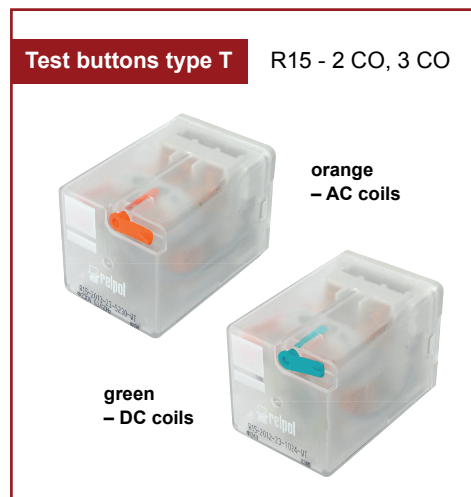
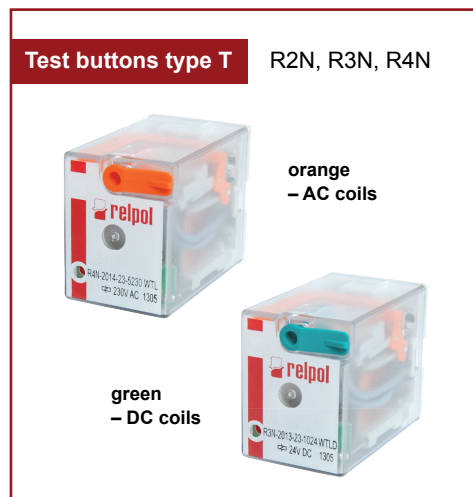
WT, WTL, WTD, WTL D, WTV, WTL V - in relays R15 - 2 CO, 3 CO for plug-in sockets

K, L, D, KL, KD, LD, KLD - in relays R15 - 4 CO for plug-in sockets

K, L, KL - in relays RUC

L - in relays RUC-M

 Voltage versions, in covers



Test buttons (no latching) and plugs

Test buttons (no latching) are recommended for R2N...WT, R3N...WT, R4N...WT, R15...WT 2 CO, R15...WT 3 CO relays - **for applications that do not allow permanent contact latching**. By manual operation (pressing the button) relay contacts can get switched for as long time as long the button is pressed. Contacts return to initial position as soon as pressure is released from the button. Those operations can be done while the coil is deenergized.

Button **R4P-0001** or **R15-M404** can be easily inserted by the Customer after removal of button type **T** (see Fig. 2). Button type **T** can be removed with screwdriver as shown on Fig. 1.

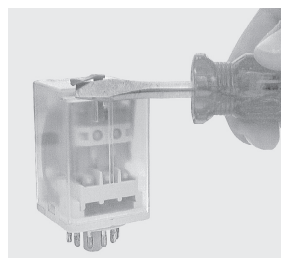


Fig. 1

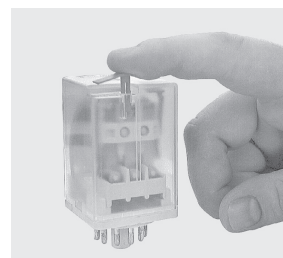
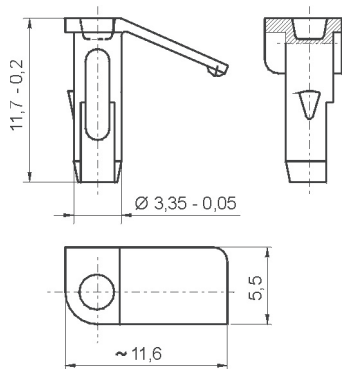


Fig. 2

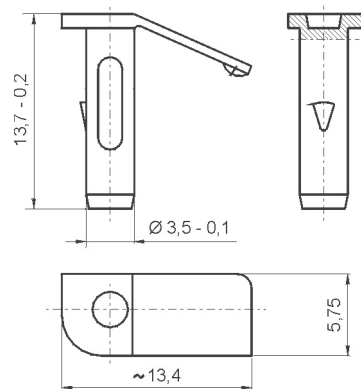
Dimensions - test button R4P-0001 for R2N...WT, R3N...WT, R4N...WT



Types of buttons:

- R4P-0001-A** - orange colour (AC coils)
- R4P-0001-D** - green colour (DC coils)

Dimensions - test button R15-M404 for R15...WT 2 CO, R15...WT 3 CO

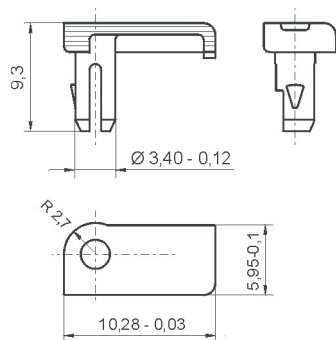


Types of buttons:

- R15-M404-A** - orange colour (AC coils)
- R15-M404-D** - green colour (DC coils)

Plugs R4W-0003 or **R15-M203** can substitute button type **T** if **manual operation (latching and testing) is not allowed**. Changing button type **T** for plug can be done by Customer themselves in the same way as changing button type **T** for button (no latching).

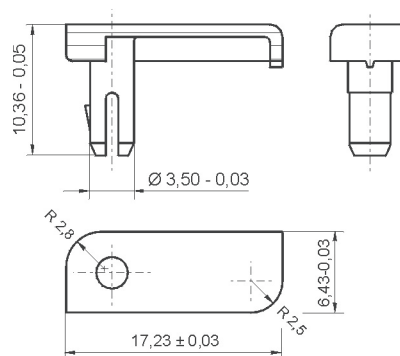
Dimensions - plug R4W-0003 for R2N...WT, R3N...WT, R4N...WT



Types of plugs:

- R4W-0003-A** - orange colour (AC coils)
- R4W-0003-D** - green colour (DC coils)

Dimensions - plug R15-M203 for R15...WT 2 CO, R15...WT 3 CO



Types of plugs:

- R15-M203-A** - orange colour (AC coils)
- R15-M203-D** - green colour (DC coils)

X-ON Electronics

Largest Supplier of Electrical and Electronic Components

Click to view similar products for [Relay Sockets & Fixings](#) category:

Click to view products by [Relpol](#) manufacturer:

Other Similar products are found below :

[M41G](#) [7-1616360-5](#) [8000-DG2-5](#) [GDA12HA](#) [GDA12HD](#) [GDA12SA](#) [GDA12SD](#) [GDA16HD](#) [GDA22HA](#) [GDA95A](#) [GDA95D](#) [GFX20](#)
[GUA1](#) [GUA2-11](#) [GUA2-20](#) [GUA4-04](#) [GUA4-31](#) [GUM5R](#) [GUR-120](#) [GUR-24](#) [GUR-240](#) [GUR-277](#) [GURX-277](#) [GUW12](#) [GUW95](#)
[GUZ32S](#) [GUZ63L](#) [GUZ95L](#) [AS-11](#) [AX-4MS-31](#) [AX-4MS-40](#) [2-1608090-3](#) [PB-16](#) [SM2S-61](#) [SQ9Z-C](#) [SYSWINSMP](#) [AR-12MW](#) [AR-400](#)
[GDA16HA](#) [GDA16SA](#) [GDA16SD](#) [GDA22HD](#) [GDA22SA](#) [GDA22SD](#) [GDA32HA](#) [GDA32HD](#) [GDA32SA](#) [GDA32SD](#) [GDA63A](#) [GDA63D](#)